


# JG3 3 Phase KWh Meters Current Transformer Operated

 = fuse.

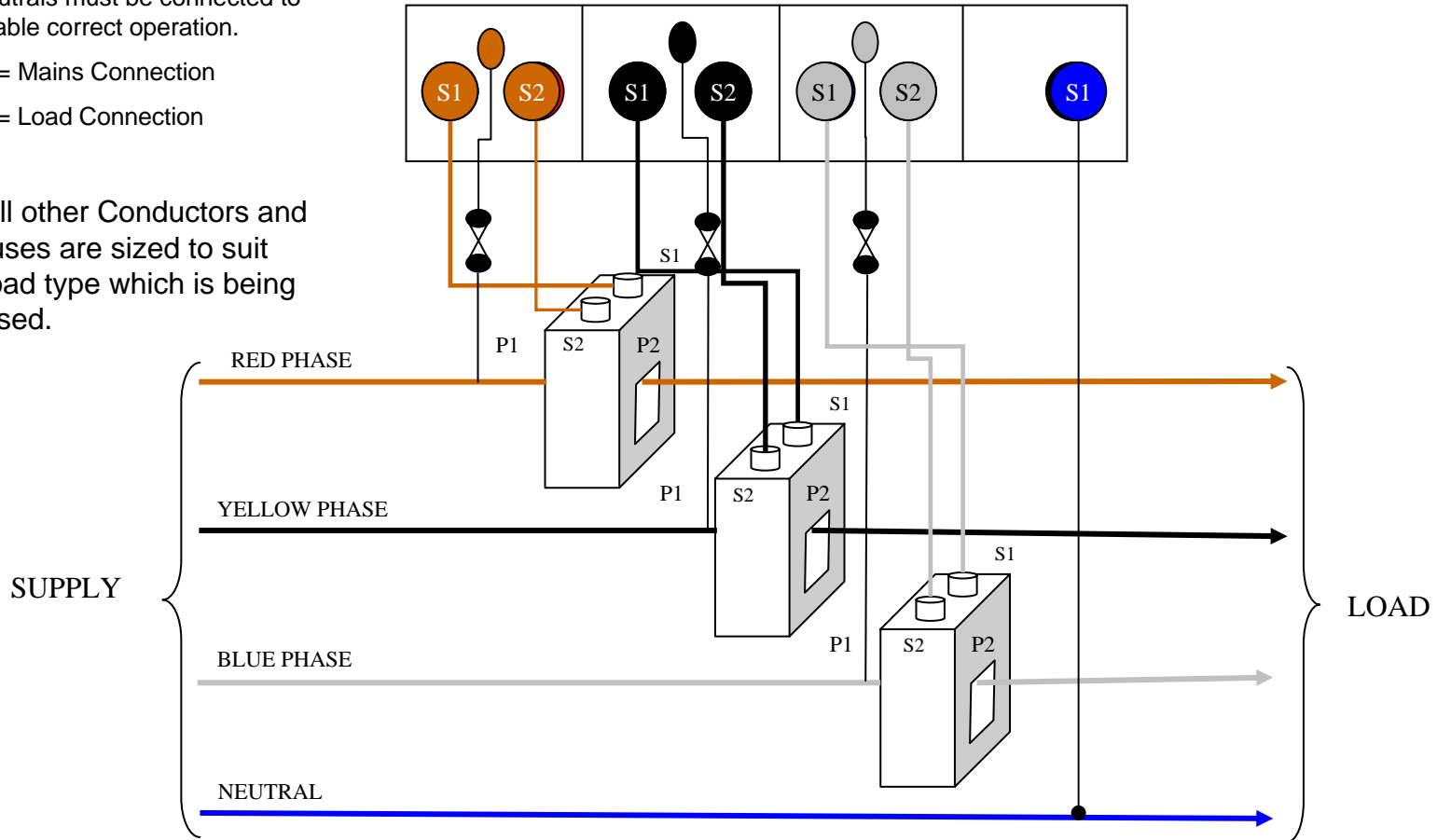
Fuse must be 5 or 6 Amp fuse (And placed before the CT)

Neutrals must be connected to enable correct operation.

S1= Mains Connection

S2= Load Connection

All other Conductors and fuses are sized to suit load type which is being used.



**Matrix Metering Ltd**

Whitegate White Lund Trading Est Lancaster Lancs LA3 3BT

Tel 01524 841909 Fax 01524 847009

e mail sales@matrixmetering.com



www.matrixmetering.com

www.matrixmetering.com